



BLUBAR



BLUBAR TABLE TOP

| | |
|-------------------------------------|--|
| Cooling capacity (lt/h)..... | 80 |
| Continuous supply (lt)..... | 45 |
| Cold water temperature..... | 3°C - 10°C |
| Ice bank capacity (lt)..... | 14 |
| Ice bank (kg)..... | 5 |
| Cooling technology..... | ICE BANK - Single Stainless Steel coil |
| Condensation..... | Forced ventilation (fan) |
| Adjustable thermostat..... | Yes |
| Dispensing area height He (mm)..... | 320 |
| Supply..... | 230V - 50Hz |
| Power..... | 500W - 2.2A |
| Working room temperature..... | Min 5°C - Max 42°C |
| NET WEIGHT (kg)..... | 42 |
| GROSS WEIGHT (kg)..... | 45 |
| Dimensions L x W x H (mm)..... | 360 x 575 x 570 |
| Mechanical outlet taps..... | HQ Stainless Steel mechanical taps |
| Materials..... | All robust stainless steel parts |

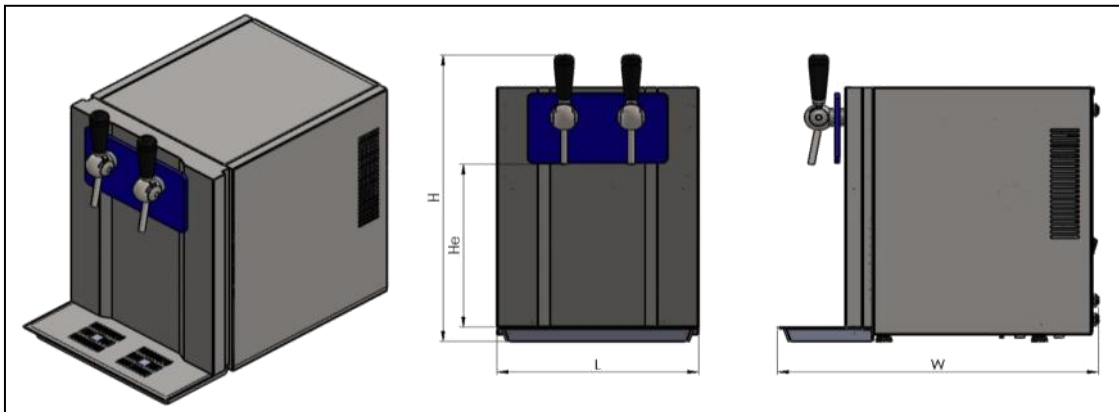
Plexiglass front panel

Other features.....Safety inlet valve

Easy access for complete service maintenance

OPTIONAL

| | |
|-----------------------------|---------------------------------|
| Water pressure reducer..... | On demand (outside the machine) |
| CO2 pressure reducer..... | On demand (outside the machine) |
| Filters..... | Inlet UV (inside the machine) |



251 Paterson Avenue • East Rutherford, NJ 07073
 1-800-562-8872 • 201-460-8379 • Fax 201-460-7172 • Email: Joel@Bellaqua.net
www.BellaquaInc.com



BLU Bar



20
GAL/h



BLUBAR TABLE TOP

| | |
|-------------------------------------|--|
| Cooling capacity (GAL/h)..... | 20 |
| Continuous supply (GAL)..... | 12 |
| Cold water temperature..... | 37.4°F - 50°F |
| Ice bank capacity (GAL)..... | 3.7 |
| Ice bank (lb)..... | 11 |
| Cooling technology..... | ICE BANK - Single Stainless Steel coil |
| Condensation..... | Forced ventilation (fan) |
| Adjustable thermostat..... | Yes |
| Dispensing area height He (in)..... | 12.6 |
| Supply..... | 115V - 60Hz |
| Power..... | 500W - 2.2A |
| Working room temperature..... | Min 41°F - Max 107.6°F |
| NET WEIGHT (lb)..... | 92.6 |
| GROSS WEIGHT (lb)..... | 99.2 |
| Dimensions L x W x H (in)..... | 14.2 x 22.6 x 22.4 |
| Mechanical outlet taps..... | HQ Stainless Steel mechanical taps |
| Materials..... | All robust stainless steel parts |

Plexiglass front panel

Other features..... Safety inlet valve
Easy access for complete service maintenance

OPTIONAL

| | |
|-----------------------------|---------------------------------|
| Water pressure reducer..... | On demand (outside the machine) |
| CO2 pressure reducer..... | On demand (outside the machine) |
| Filters..... | Inlet UV (inside the machine) |

